



TECHNICAL BULLETIN

IMPORTANT PRODUCT INFORMATION

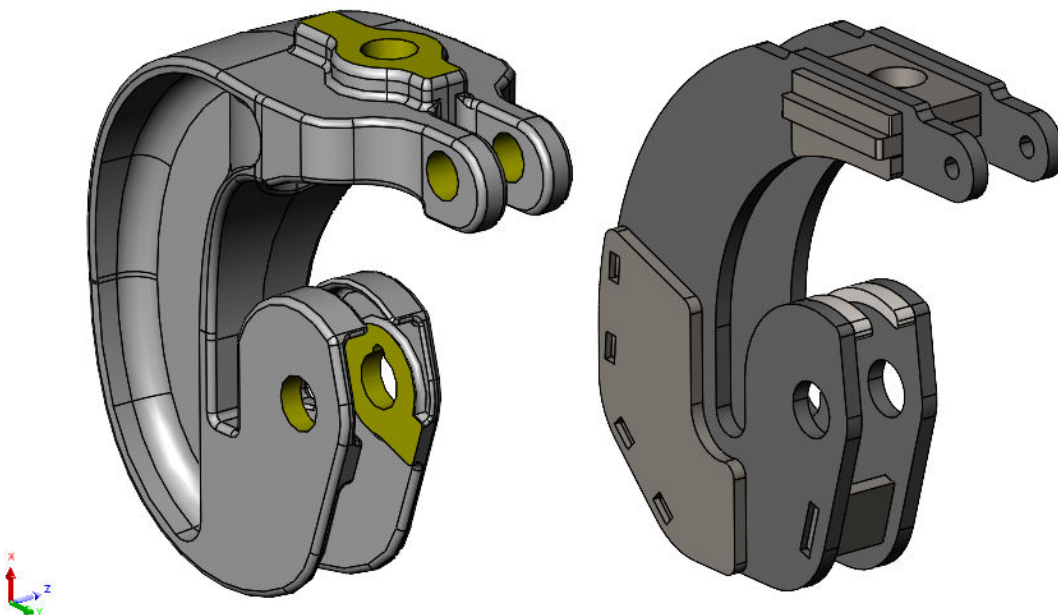
▶ Hanger Bracket on 3-Ton Budgit® Manguard Electric Chain Hoist

Effective January 2022

As part of our continuous improvement activities, the hanger bracket on the 3-ton Budgit Manguard electric chain hoist is transitioning from a casting to a weldment effective January 5, 2022. This improvement provides a more consistent fit to the frame. The performance and functionality of the 3-ton hanger remain unchanged.

Old Part (42863003B) - Casting

New Part (192070956) - Weldment



If you have any questions regarding this change, please contact Columbus McKinnon's customer service department at 800-888-0985.

Bryan Holby
Columbus McKinnon Corporation
Sr. Global Product Manager - Powered Chain Hoist
Tel: 704-942-3251
Email: bryan.holby@cmworks.com